

# PROBE High Bay

The Big Shine LED Probe is a versatile lighting solution that can fit multiple applications.

This lightweight, durable fixture is full of efficient technology. Its high luminous efficacy allows it to deliver balanced, bright light.

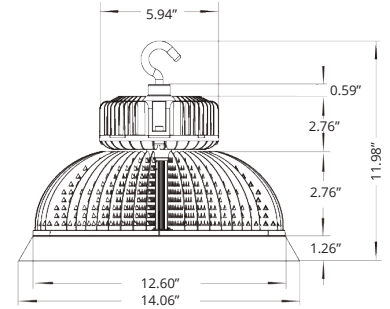
The optional aluminum shield defines the beam angle of the Probe and provides a smooth illuminating lux on the working area.

## APPLICATIONS

Industrial, Commercial, Recreational



## DIMENSIONS



## MODEL OPTIONS

Manufacturer	Fixture Type	Wattage	Voltage	Name	Driver	Chip	CCT (X)	Beam Angle (Y)
BSL BIG SHINE LED	HB High Bay	160W, 180W	100-277V G-277-480V Optional	PRB	MW Mean Well	LG	5000K	45°, 70°, 90°, 110°

## TECHNICAL SPECIFICATIONS

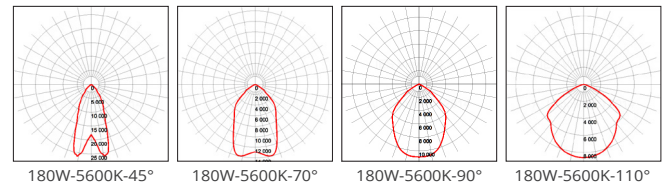
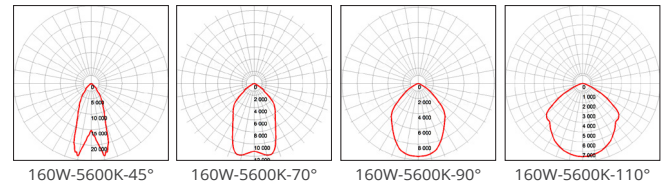
	160W	180W
Lumens	19200	21600
Efficacy	120	120
CRI	≥75 (5000K)	≥75 (5000K)
Voltage Input	100-277V	100-277V
Voltage Output	38V	42V
Amperage	1.78	2
Hertz	50-60 Hz	50-60 Hz
THD	13%	12%
Control Options	0-10V Optional (T)	0-10V Optional (T)
Operating Temp.	-13~140°F	-13~140°F
IP Rating	IP65	IP65
IK Level	N/A	N/A
Weight	11.5 lb	11.5 lb
Driver Life	50,000 hrs	50,000 hrs
L70 Results <sup>1</sup>	50,000 hrs	50,000 hrs

<sup>1</sup> LM80 and TM21 results are available upon request. Specifications are subject to change without notice.

## FIELD & BEAM ANGLES

MODEL	Beam	Height vs. Illuminance (ft vs. lx)		
	Angle	9.8 ft	19.7 ft	29.5 ft
BSL-HB160-PRB-MWLG-5000K-45	45	1,686.7	421.7	187.4
BSL-HB160-PRB-MWLG-5000K-70	70	1,241.9	310.5	138.0
BSL-HB160-PRB-MWLG-5000K-90	90	1,069.2	267.3	118.8
BSL-HB160-PRB-MWLG-5000K-110	110	836.1	209.0	92.9
BSL-HB180-PRB-MWLG-5000K-45	45	2,006.8	501.7	223.0
BSL-HB180-PRB-MWLG-5000K-70	70	1,429.30	357.3	158.8
BSL-HB180-PRB-MWLG-5000K-90	90	1,218.0	304.5	135.3
BSL-HB180-PRB-MWLG-5000K-110	110	955.5	238.9	106.2

## PHOTOMETRICS



## MOUNTING OPTIONS

Open Eye Bolt

## STANDARD COLOR OPTIONS



\*Customized colors available upon RAL request. MOQ applies.

